

Date: 07/07/03

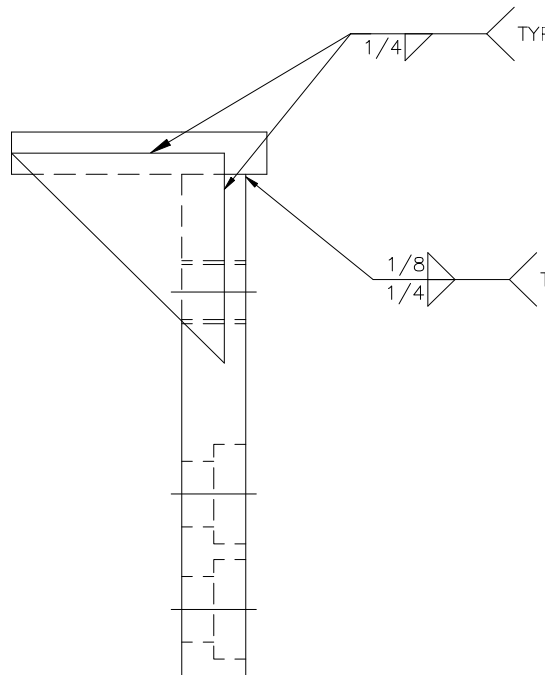
Subject: QXR CM66811-004 Slider Housing Weld.

Unit/Part Affected: QXR's Serial Numbers: 7519-12-95, 7541-10-96, 7550-03-97, 7558-08-97, and 7571-02-98.

The purpose of this bulletin is to serve as a precautionary measure due to a failure of a slider housing in the field. The failure described in this bulletin is particular to the specific units listed above.

The failure was due to the slider housing not being welded in accordance to Cubex engineering specifications. Below is a diagram showing the correct welding of the slider housing in question.

Please inspect the slider housing to ensure that it conforms to the welding detail in the drawing below.



Please notify Cubex if any discrepancies are found upon inspection.