



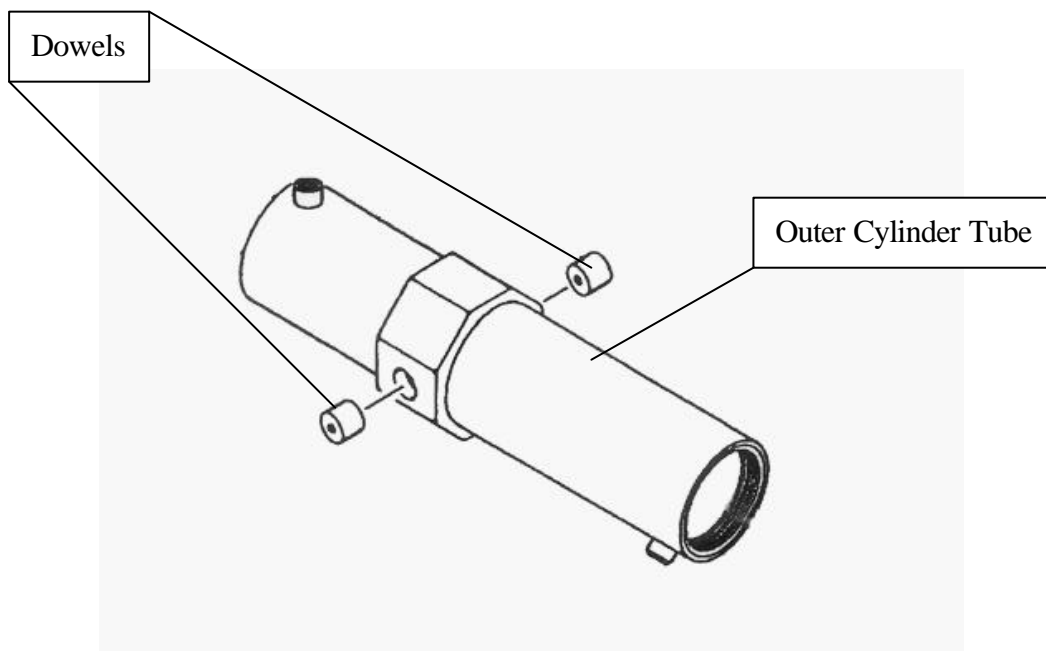
## PARTS UPDATE PU03-0001

**Date:** 01/16/03

**Subject:** Dowel Guide CM65006

**Unit/Part Affected:** CM47907-001 Outer Cylinder Tube -Telescopic Feed Cylinder.

In the factory the dowel guides (CM65006) will now be welded from the inside to the outer cylinder tube on the telescopic feed cylinders. This prevents the dowels from working loose causing damage to the cylinder and the clamps on the top drive mounting plate. Existing cylinder dowels can be repaired in the field by welding the dowels from the outside as long as they are ground flush to maintain float in the Mounting plate.



*For more information please contact your  
nearest Cubex parts/service distributor*