

**Date:** 06/04/03

**Subject:** Optional Drive Motor For Cat Pump.

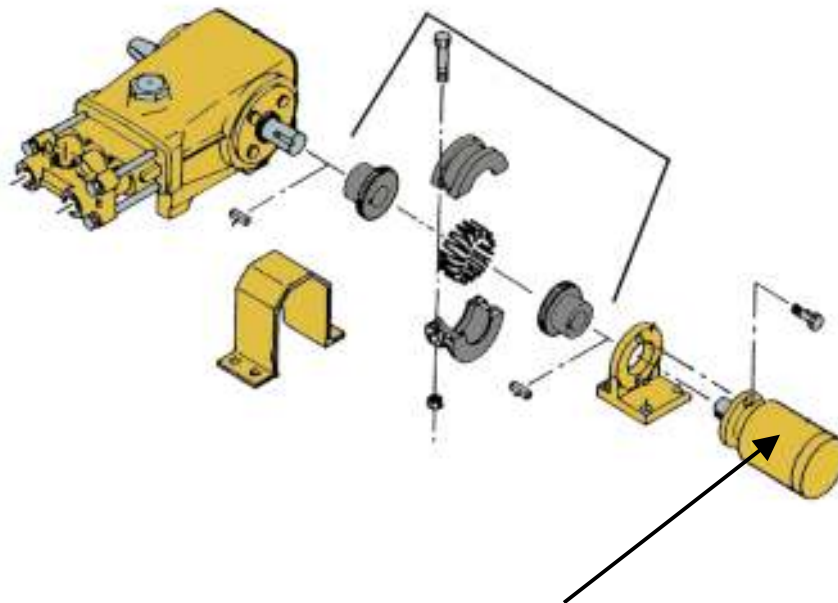
**Unit/Part Affected:** Cat Water Pump Used on Cubex Drills.

An optional Motor is available to run the CAT water pump on Cubex drills. This is for situations where more water flow may be required due to excessive dust conditions.

1. It doubles the flow of water with the same amount of oil flow.
2. Or you can have the same flow of water as the existing motor using half the flow of oil.

The operating pressure of the new motor is double that of the existing drive motor.

This new motor is available as CP17014-25



**Water Pump  
Drive Motor**

*For more information please contact  
you're nearest Cubex parts/service  
distributor*