



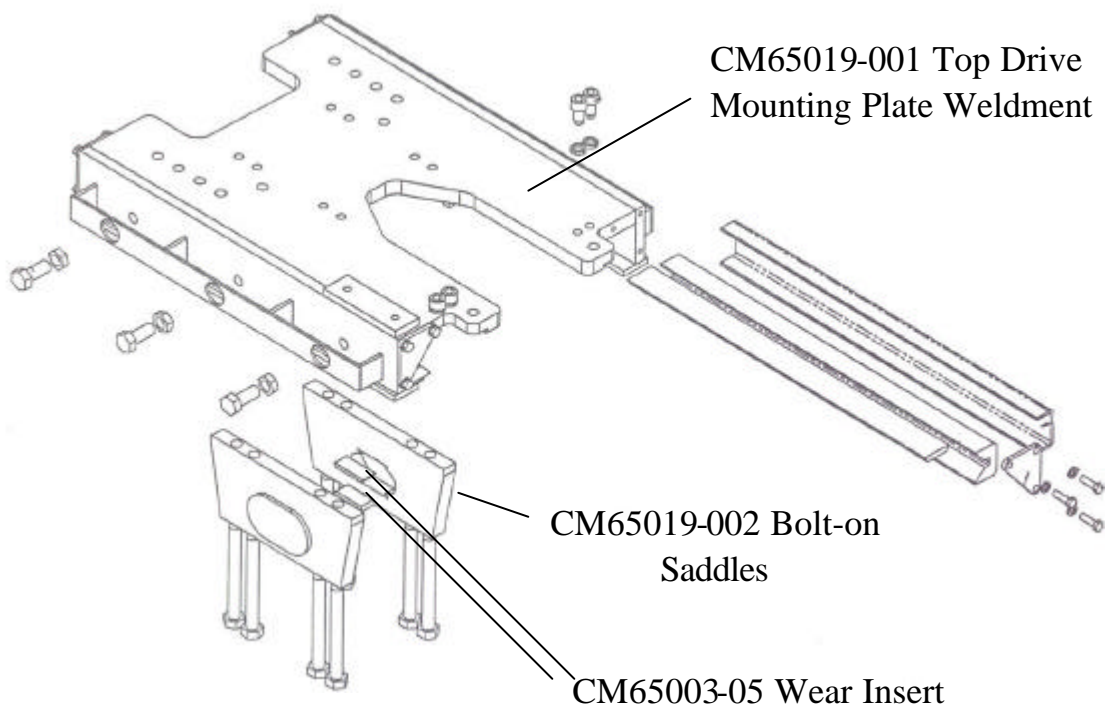
PARTS UPDATE PU02-0018

Date: 11/14/02

Subject: Top Drive Mounting Plate Assembly CM65019 with bolt on replaceable saddles.

Unit/Part Affected: All Standard Cubex Underground ITH Drills

Cubex has developed a different style of top drive mounting plate with bolt-on saddles as opposed to weld-on. This has been done to lower the cost of reworking the mounting plate when the saddles wear. Now you can just unbolt the saddles and replace them as needed. The complete assembly is available as CM65019. For a full list of part numbers shown in this bulletin please contact your nearest Cubex Parts/Service distributor.



For more information please contact your nearest Cubex parts/service distributor

CUBEX LIMITED 1218 Redonda Street, Box 13, Group 524, RR 5 Winnipeg, Manitoba, Canada R2C 2Z2
Phone: (204) 694-5505 Fax: (204) 633-0665
www.cubex.net