



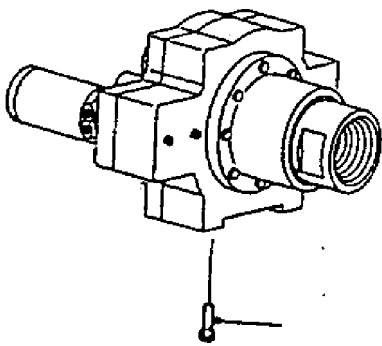
CUBEX LTD. PRODUCT UPDATE

BULLETIN: PU-0009

DATE: FEBRUARY 8, 1991

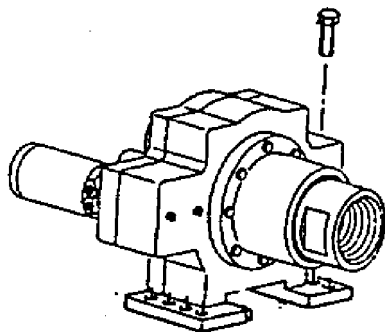
SUBJECT: TOP DRIVE MOUNTING METHOD CHANGED

INFORMATION: Easier installation and removal - also may be noticed easier if bolts are working loose - retourquing of bolts made easier.



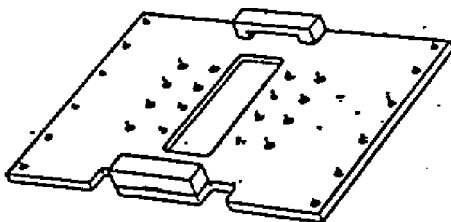
FORMER TOP DRIVE

The former top drive had 3/4" tapped holes in main housing. The bolts were installed from the back side of the mast.



NEW TOP DRIVE

The new top drive has larger mounting plates with straight 3/4" holes.



NEW MOUNTING PLATE

The new mounting plate has 3/4" tapped holes. Former mounting plate may be modified to accept the new top drive.

For further information contact your local Cubex Ltd. Representative.