

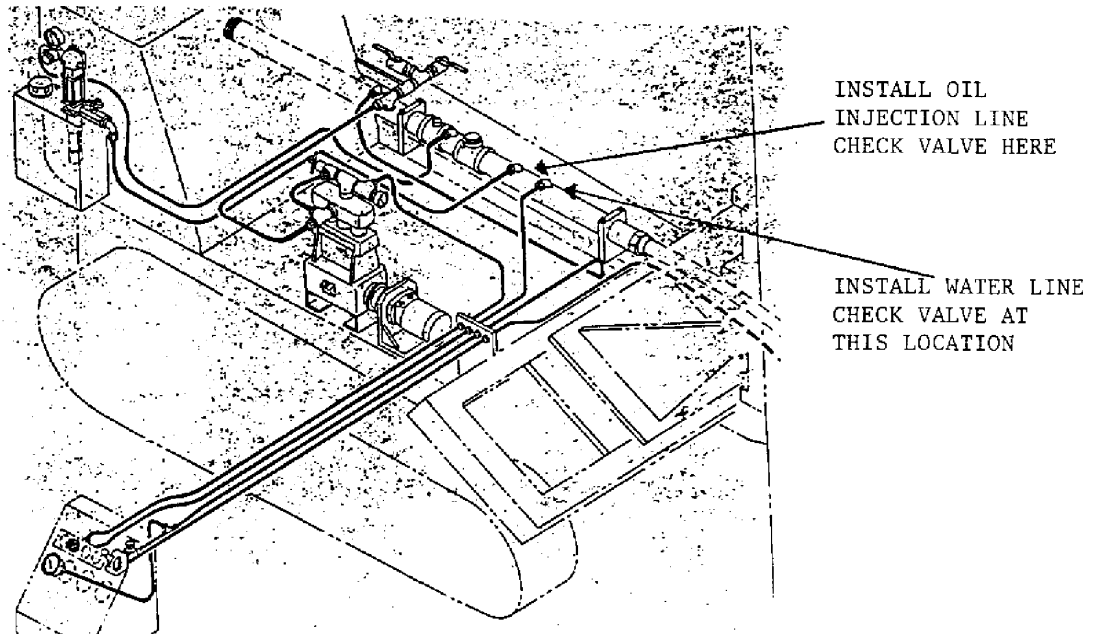
CUBEX LTD. PRODUCT UPDATE

BULLETIN: PU-0008

DATE: FEBRUARY 6, 1991

SUBJECT: CHECK VALVES NOW INSTALLED ON ALL CURRENT PRODUCTION CUBEX DRILLS.

INFORMATION: Check Valves have now been installed in the water line rock oil injection lines. These Check Valves prevent high pressure air returning to rock oil pump and water pump.



Parts required to preform this update:

| | |
|--------------|-------------|
| 1 - 20584 | CHECK VALVE |
| 1 - 20584-1 | CHECK VALVE |
| 1 - 5205x4x4 | FITTING |
| 1 - 3069x4 | FITTING |
| 1 - 3069x8 | FITTING |
| 1 - 5455x8x8 | FITTING |

For further information contact your local Cubex Ltd. Representative.